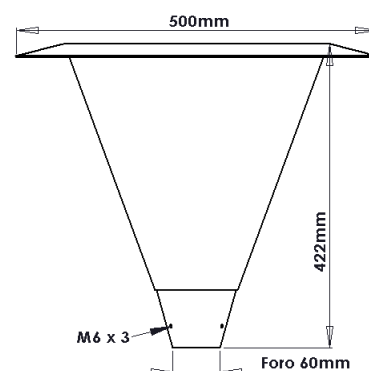




Made in Italy

## PASSEGGIATA



### Description:

Passeggiata is a 12/24 LEDs street light. It is produce to be assembled on a pole with a diameter of 60mm. Its body is in anodized aluminum and sandblast glass. The power supply can be built-in or can be supplied separately, so it can be placed at the base of the pole. Upon request Passeggiata can be produced in different anodized or painting colours.

### Applications:

Lighting of outdoor spaces, boulevards, parks, gardens, restaurants, public, working and monitored areas.

We recommend to install the street light at a height between 3 and 4,5mt to obtain the best possible performance.





Made in Italy

# PASSEGGIATA

Specifications:

## Models:

4.PS12.830.050	830	19w
4.PS12.830.050	830	19w
4.PS12.840.050	840	19w
4.PS24.822.105	822	39w
4.PS24.830.105	830	39w
4.PS24.840.105	840	39w
4.PS24.830.140	830	54w
4.PS24.830.140	830	54w
4.PS24.840.140	840	54w

## Colour temperature options:

light	TC	lumen
• Warm white (on demand)	822	2150/3400/4300
• Warm white (on demand)	827	2450/3900/4900
• Warm white	830	2600/4450/5200
• Natural white	840	2800/4150/5600

## Projector body:

- Anodized aluminum and glass

## Connection:

- Spring-cage connection

## Power supply:

- 198-264 Vac 47/63Hz

## Other technical features:

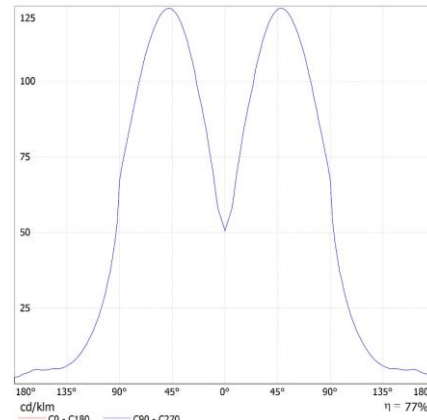
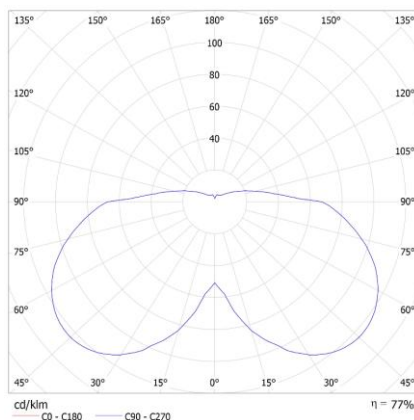
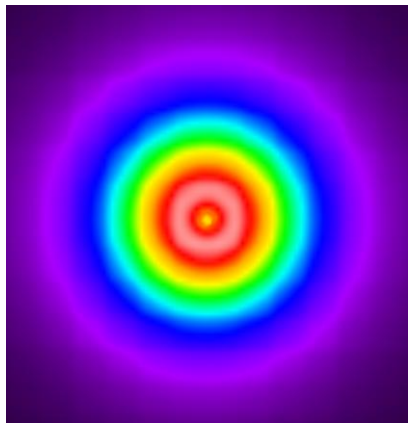
- Insulation class I
- The product was manufactured in compliance with the EN 62471:2009 standards, risk-free

Note: All the data above are typical and can change without notice

Distribution

Photometric polar diagram

Photometric cartesian diagram



Co.E.M. srl reserves the right to improve the product in terms of performance and manufacturing without any obligations of prior communication to the client.

Release 1.3 2016