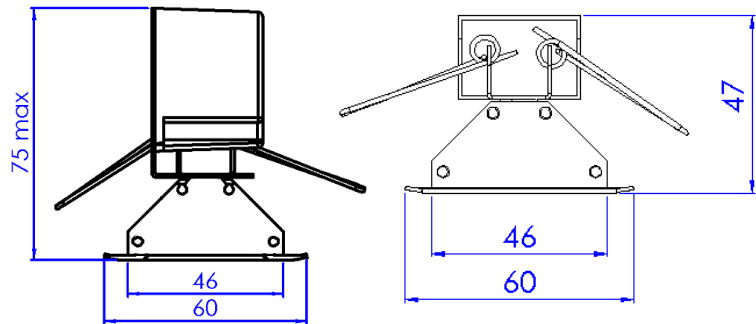


Linea 60



IP42

IP40



Description:

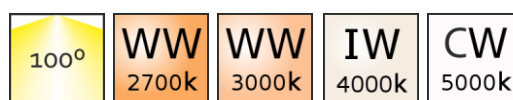
LINEA 60 is an LED linear bar with a width of 60mm and with a contained visual impact. It is available in few standard lengths such as 430, 530, 730, 1300, 1430 and 2030mm with a nominal power from 4 up to 100W. It is 230Vac power supplied.

Upon request it can be produced in different lengths from 130 to 330mm with 100mm steps. Linea 60 can be installed side by side to each other to obtain light lines of any length. It must be spring-installed in false ceilings.

Applications: General lighting of indoor areas.

On demand:

- Home automation system





Made in Italy

Linea 60

Specifications:

Nominal power:

- From 4 to 80W

Colour temperature options:

- Warm white 3000°K
- Natural white 4000°K
- 2700°K 5000°K (on demand)

Projector body:

- Aluminum alloy

Finish:

- Aluminum painted Silver
- Coloured (on demand)

Anterior protection:

- Glazed acrylic

Connection:

- Clamp

International protection:

- IP40

Power supply:

- 230Vca
- 24Vdc

Other technical features:

- The product was manufactured in compliance with the EN 60598
- Insulation class III in 24Vdc and I in 230Vdc

Note: All the data above are typical and can change without notice

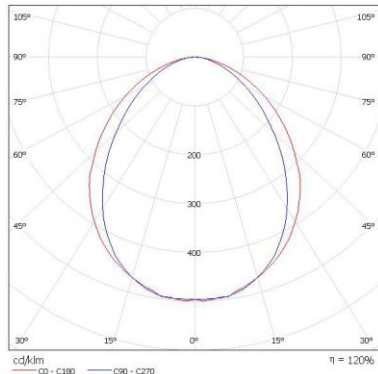
Codes:

2.LN6010.30s	LINEA60 opaline warm white 830 glazed 1030mm	230V 32W 2900L
2.LN6010.40s	LINEA60 opaline natural white 840 glazed 1030mm	230V 32W 3400L
2.LN6014.30s	LINEA60 opaline warm white 830 glazed 1430mm	230V 43W 4000L
2.LN6014.40s	LINEA60 opaline natural white 840 glazed 1430mm	230V 43W 4800L
2.LN6020.30s	LINEA60 opaline warm white 830 glazed 2030mm	230V 64W 5800L
2.LN6020.40s	LINEA60 opaline natural white 840 glazed 2030mm	230V 64W 6800L
2.LN6020.940s	LINEA60 opaline natural white 940 glazed 2030mm	230V 64W 5800L
2.LN60d05.30s	LINEA60 opaline warm white 830 glazed 530mm	230V 32W 2900L
2.LN60d05.40s	LINEA60 opaline natural white 840 glazed 530mm	230V 32W 3400L
2.LN60d07.30s	LINEA60 opaline warm white 830 glazed 730mm	230V 43W 4000L
2.LN60d07.40s	LINEA60 opaline natural white 840 glazed 730mm	230V 43W 4800L
2.LN60d10.30s	LINEA60 opaline warm white 830 glazed 1030mm	230V 64W 5800L
2.LN60d10.40s	LINEA60 opaline natural white 840 glazed 1030mm	230V 64W 6800L
2.LN60d14.30s	LINEA60 opaline warm white 830 glazed 1430mm	230V 86W 8000L
2.LN60d14.40s	LINEA60 opaline natural white 840 glazed 1430mm	230V 86W 9600L
2.LN60d20.30s	LINEA60 opaline warm white 830 glazed 2000mm	230V 128W 10600L
2.LN60d20.40s	LINEA60 opaline natural white 840 glazed 2000mm	230V 128W 13600L
2.LN60d20.940s	LINEA60 opaline natural white 940 glazed 2000mm	230V 128W 10600L



Linea 60

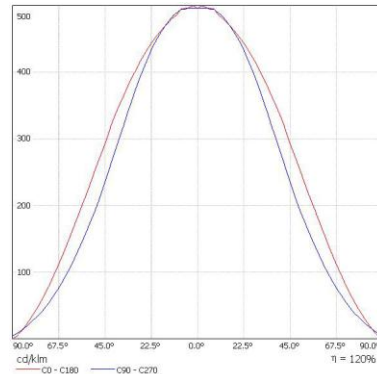
Photometric diagrams:



Lampada: Co.E.M. srl 2.LN60d10.40s 2.LN60d10.40s www.coemsrl.it
Lampadine: -48 x Smg BM 840

Distanza [m]	Diametro cono [m]	E(P) ¹	E(C90)	E(CD)	illuminamento [lx]
0.5	0.95 1.20	6245	43.6° 1189	50.2° 826	
1.0	1.90 2.40	1561	43.6° 297	50.2° 207	
1.5	2.86 3.60	694	43.6° 132	50.2° 92	
2.0	3.81 4.80	390	43.6° 74	50.2° 52	
2.5	4.76 6.00	250	43.6° 48	50.2° 33	
3.0	5.71 7.20	173	43.6° 33	50.2° 23	

Distanza [m] Diametro cono [m]
 — C0 - C180 (Angolo di dimezzamento: 100.4°)
 — C90 - C270 (Angolo di dimezzamento: 87.2°)



Lampada: Co.E.M. srl 2.LN60d14.40s 2.LN60d14.40s www.coemsrl.it
Lampadine: -48 x Smg BM 840

Distanza [m]	Diametro cono [m]	E(P) ¹	E(C90)	E(CD)	illuminamento [lx]
0.5	0.95 1.20	8763	43.6° 1668	50.2° 1159	
1.0	1.90 2.40	2191	43.6° 417	50.2° 290	
1.5	2.86 3.60	974	43.6° 185	50.2° 129	
2.0	3.81 4.80	548	43.6° 104	50.2° 72	
2.5	4.76 6.00	351	43.6° 67	50.2° 46	
3.0	5.71 7.20	243	43.6° 46	50.2° 32	

Distanza [m] Diametro cono [m]
 — C0 - C180 (Angolo di dimezzamento: 100.4°)
 — C90 - C270 (Angolo di dimezzamento: 87.2°)

Co.E.M. srl reserves the right to improve the product in terms of performance and manufacturing without any obligations of prior communication to the client.

Release 1.1 2015